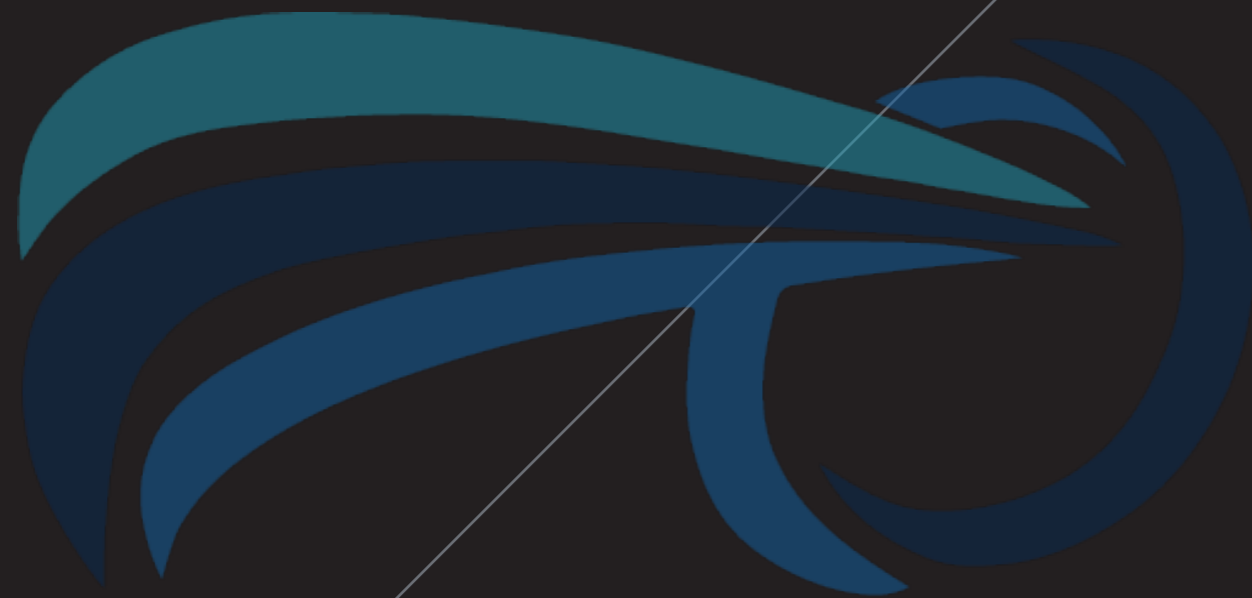


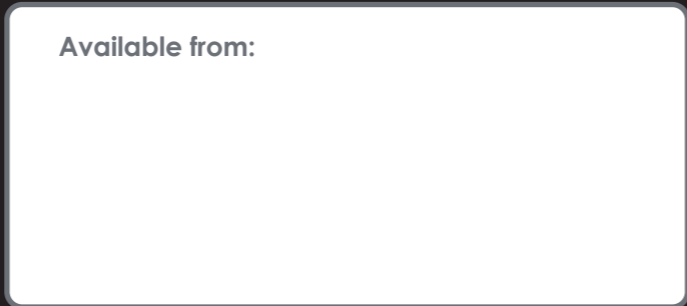
EMAUX WATER TECHNOLOGY CO., LTD
ADDRESS: Flat A-D, 20/F., Kai Bo 22, 22 Wing Kin Road,
Kwai Chung, Hong Kong
PHONE +852 2832 9880
www.emauxgroup.com

 YOUR PREMIER SUPPLIER



Aqua Integral[®]
Agua para el futuro

Available from:



ALL SPECIFICATIONS ARE SUBJECT TO CHANGE WITHOUT NOTICE.
© 2021 EMAUX WATER TECHNOLOGY CO., LTD. ALL RIGHTS RESERVED.

www.emauxgroup.com

SCC-mini Salt Chlorinator

SLEEK AND COMPACT DESIGN

For residential pools



 **Emaux**
water technology

CE RoHS
COMPLIANT
2002/95/EC

Pool & Spa Equipment

SIGNATURE COLLECTION

Product Information



SIMPLE AND RELIABLE

SSC-mini Salt Chlorinator is designed for the residential pools up to 90,000 liters.

Using the latest technology, SSC-mini combines an intuitive interface with robust components for extremely user friendly installation and operation. This maintenance free chlorinator represents the best value for money in the market.

The Cell

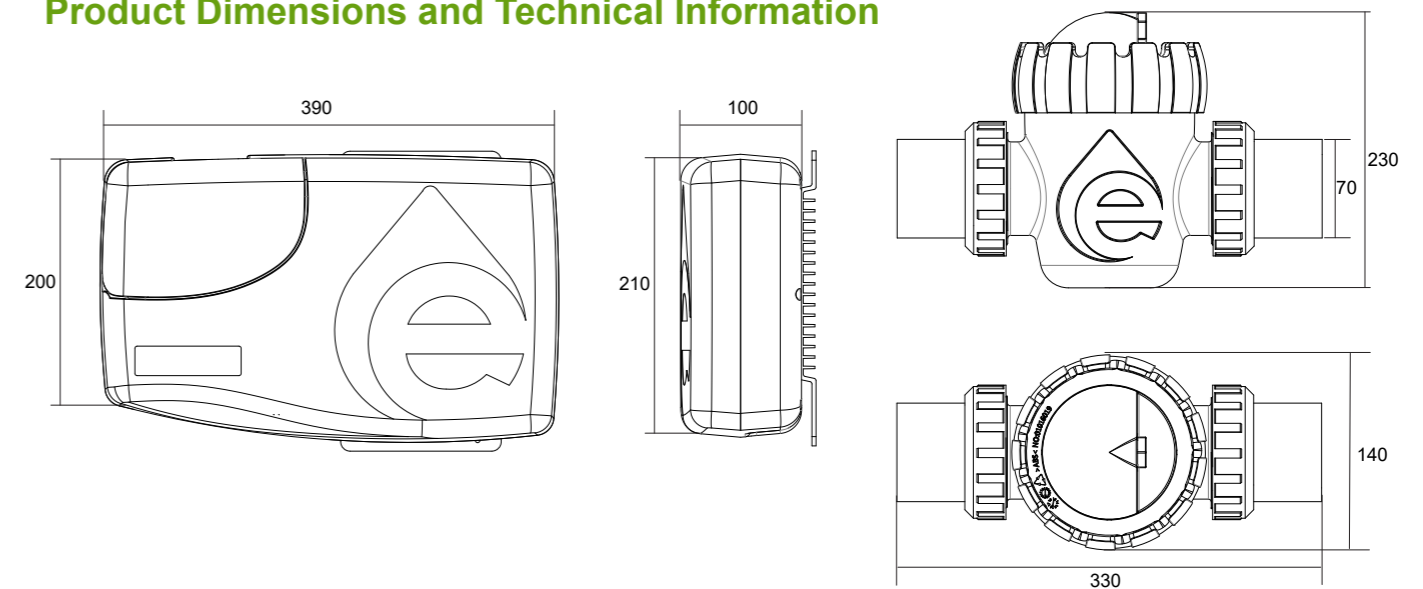
- 1) Titanium plates for a maximum chlorine production of 20 gram/h
- 2) Self-cleaning reverse polarity
- 3) Water flow sensor
- 4) Temperature sensor
- 5) Translucent casing with connections for 50 mm / 1 1/2" or 63 mm / 2" pipes



Features of the cell

- 1) Easy to install, maintain and replace
- 2) Maximum working pressure: 2.5 bar
- 3) Perfect suited for magnesium salted pools
- 4) Affordable spare parts

Product Dimensions and Technical Information



Code	Model	Input Voltage/ Frequency	Salt Level	Cell Output	Maximum Pool Size	Cell Connections
88380702	SSCmini	220-240V / 50-60Hz	3000ppm	20gr/hr	90,000 Liters	1.5" / 50mm or 2" / 63mm

Intuitive Control Panel

1. **Low cell life:** the cell electrodes have to be replaced.
2. **No flow:** water flow is not detected, or water flow is too low.
3. **Alarm:** the unit is not working properly.
4. **Stand-by:** the unit is between operation cycles.
5. **Normal operation:** Electrolytic cell is generating chlorine under normal conditions.

6. **Super-chlorination:** Electrolytic cell will be generating chlorine non-stop for 24 hours.

7. **Work schedule:** indicate the working period

8. **Simple control buttons:**

- **Work schedule control button:** adjusts the working time
- **Super-chlorination button:** activates super-chlorination mode

Advantages

- 1) **USER-FRIENDLY** Easy operations with few buttons
- 2) **EASY INSTALLATION** Minimum piping modifications for existing installations
- 3) **DURABLE** Long cell lifetime and economic spare parts available
- 4) **GOOD PERFORMANCE** Less handling of chemicals and better quality of water

