



Rev. Máx del motor	Voltaje	Modelo
60 RPM	230V/60Hz	C-660P-230V60Hz

**Tasa de flujo y capacidades de presión**

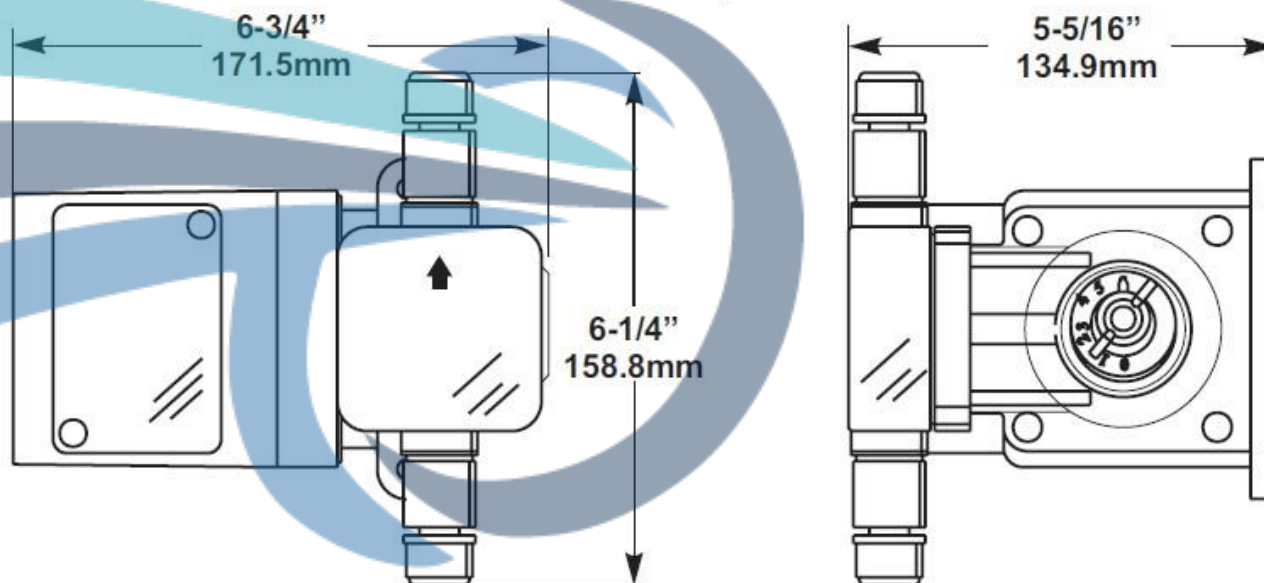
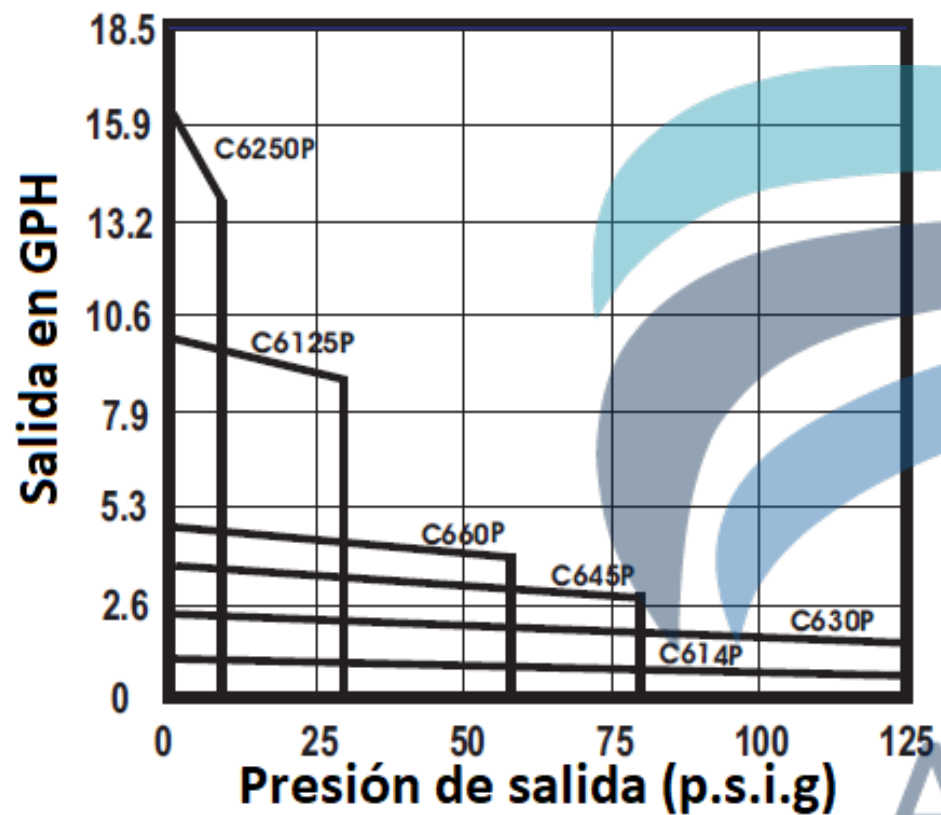
Máxima salida a 0 PSI

GPD (Galones por día)	GPH (Galones por hora)	LPH (Litros por hora)	Descargas por minuto	PSI máx
110	4.6	17.4	60	60

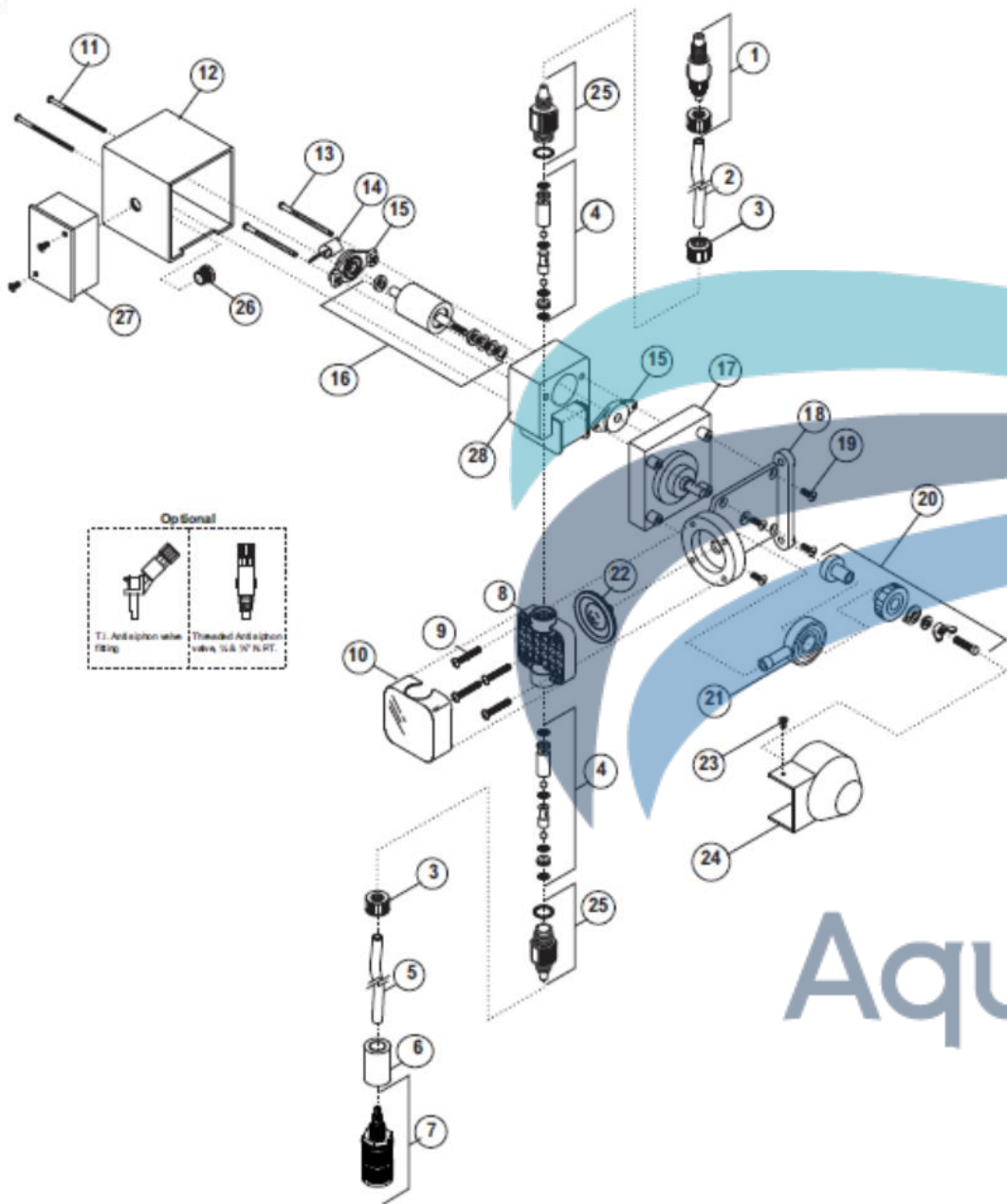
Presión de trabajo máx:	125 psig (8,6 bar)
Temperatura del fluido máx:	54°C
Temperatura ambiente máx:	-10 a 43 C
Viscosidad máxima:	10 poises
Elevación máxima de succión:	3 mts Agua 0 psig

Aqua Int  
 Agua para el futuro

## Salida máxima vs curva de presión



**Aqua Integral**®  
 Agua para el futuro



## C- 600P Parts List

Catalog No.	Description	Amount Reqd.
1. C-395-6V	Injection valve 6 PSI, Viton	1
C-395-6E	Injection valve 6 PSI, EP (optional)	1
2. C-335-6	Discharge Tubing 3/8 OD, 5ft. Opaque Poly-E	1
3. C-330-6	Tube Nut	2
4. K-568V-4	Bullet valve (double ball), Viton, 4 pack set	2
K-568V-10	bullet valve (double ball), Viton, 10 pack set	2
K-569E-4	Bullet valve (double ball), EP, 4 pack set (optional)	2
K-569E-10	Bullet valve (double ball), EP, 10pack set(optional)	2
5. C-334-6	Suction tubing 3/8' OD, 5ft. Clear PVC w/ indicator	1
6. C-346	Ceramic weight	1
7. C-345V	Foot valve / strainer Poly-Pro, Viton	1
C-345E	Foot valve / strainer Poly Pro, EP (optional)	1
8. C-535	Heavy duty molded pump head	1
9. C-504HD	Screw, HD Pump head 10-32 x 1-1/4'	4
10. C-535FC	Pump head cover, Chem feed logo	1
11. C-628	Cover screw 6-32 x 2-3/4' Steel	2
12. C-608P	Motor Cover	1
13. C-625	Motor screw 8-32 x 2-1/2'	2
14. C-612F	Rotor Fan	1
15. C-612PB	Rotor Bearing	2
16. C-616PN	Rotor w/ Spacer	1
17. C-618P-14	Gearbox Assembly, 14 RPM	1
C-618P-30	Gearbox Assembly, 30 RPM	1
C-618P-45	Gearbox Assembly, 45 RPM	1
C-618P-60	Gearbox Assembly, 60 RPM	1
C-618P-125	Gearbox Assembly, 125 RPM	1
C-618P-250	Gearbox Assembly, 250 RPM	1
18. C-301	Motor Mount	1
19. C-624	Motor Mount Screw 10-32 x 1/2'	4
20. C-325	Cam S/A C-600	1
21. C-304	Yoke w/Bearings	1
22. C-406T	Diaphragm PTFE coated, EP	1
23. 90011-155	Screw 6-332 x 3/8'	1
24. 90002-201	Cam Cover	1
25. C-550-6V	Bullet Valve Adapter, Viton O-ring	2
C-560-6E	Bullet Valve Adapter, EP O-ring	2
26. 90007-515	1/2" Aluminum Chase Nipple	1
27. C-308J	Junction Box Complete w/Cover and Gasket	1
28. C-615P-1	Stator S/A 115V/60Hz, blue-black (lead wires)	1
C-615P-2	Stator S/A 230V/60Hz, red-black (lead wires)	1
C-615P-3	Stator S/A 220V/50Hz, brown-blue (lead wires)	1
C-615P-4	Stator S/A 24V/60Hz, blue-white (lead wires)	1
C-615P-6	Stator S/A 230V/60Hz, red-yellow (lead wires)	1
C-615P-8	Stator S/A 220V/50Hz, brown-yellow (lead wires)	1
C-615P-9	Stator S/A 115V/60Hz, blue-yellow (lead wires)	1

Aqua Inere®  
 Agua para el futuro