



We Build Better.™

# TriStar® VS 950

## Variable-Speed Pump

### SIMPLE INSTALLATION WITH QUIETER-THAN-EVER PERFORMANCE

**No-rib strainer basket with see-through cover** ensures easy debris removal

**Upgraded motor drive** delivers 30% quieter high-speed operation than other models

**Advanced hydraulic design** provides ample power to replace most high-performance pumps up to 3 HP



**Wall-mountable touchpad control** can be rotated in four directions

**Side and rear conduit entry** accommodate both high and low voltage connections for simple installation

**Permanent magnet, totally enclosed fan-cooled motor** offers more efficient operation and long-lasting reliability



**EXPERT LINE™**  
ONLY FROM POOL PROS



#### INDUSTRY-LEADING ENERGY EFFICIENCY

As a member of the TriStar® VS family—the most energy-efficient pumps in their class—TriStar VS 950 saves pool owners up to \$1,500 per year. Its ENERGY STAR rating means local energy rebates may apply, too.



#### DESIGNED FOR DURABILITY

Built with a chemical-resistant Viton® seal and accompanied by a 4-year extended warranty, TriStar VS 950 offers powerful corrosion protection for years of reliable performance.



#### SEAMLESS RETROFITTING

With dual-voltage capabilities, two pump base options and 2" x 2 1/2" CPVC union connections, TriStar VS 950 is easy to install in both new and existing pool pads and doesn't require costly rewiring.

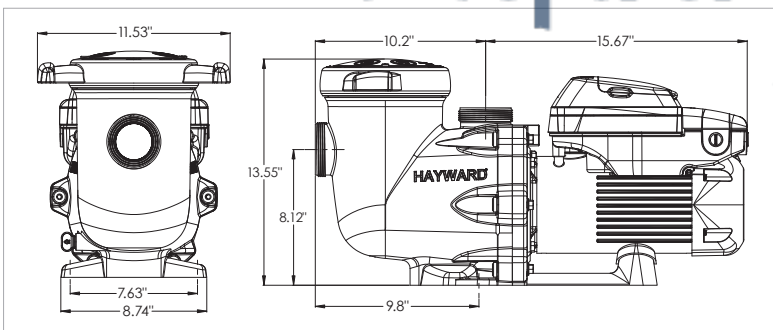


#### SPECIFICATIONS

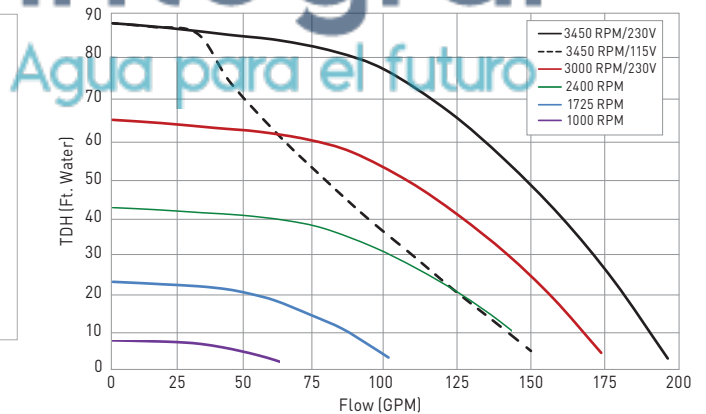
MODEL NUMBER	TOTAL HP	VOLTAGE	WEIGHTED ENERGY FACTOR (WEF)*	UNION CONNECTIONS	WARRANTY
SP32950VSP	2.7	115V/230V	10.1/7.3	2" x 2.5"	3 years**

\*The higher the weighted energy factor (WEF), the more efficient the pump. Visit [hayward.com/regulations](http://hayward.com/regulations) for more information.

#### TRISTAR VS 950 DIMENSIONS (INCHES)



#### TRISTAR VS 950 PERFORMANCE COMPARISON



TriStar VS 950 pumps are listed by:

\*\*When sold by a Totally Hayward® partner. Exclusions, other terms and conditions may apply — visit [hayward.com/expert](http://hayward.com/expert) for details.

» [hayward.com](http://hayward.com) » 1-888-HAYWARD | Pumps » Filters » Heating » Cleaners » Sanitization » Automation » Lighting » Water Features » White Goods

Hayward, Hayward & Design, the H logo, Totally Hayward, TriStar and We Build Better. are registered trademarks and Expert Line is a trademark of Hayward Industries, Inc. ENERGY STAR is a registered mark owned by the U.S. government. All other trademarks not owned by Hayward are the property of their respective owners. Hayward is not in any way affiliated with or endorsed by those third parties. © 2022 Hayward Industries, Inc.

eLITTSVS95022